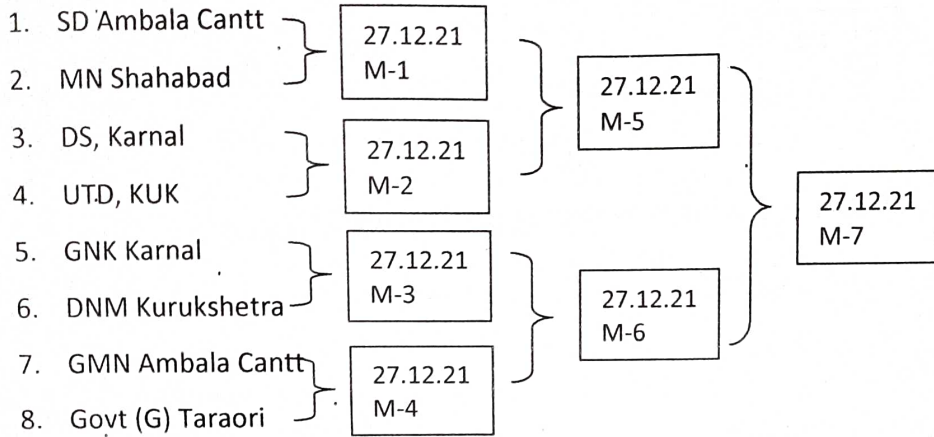


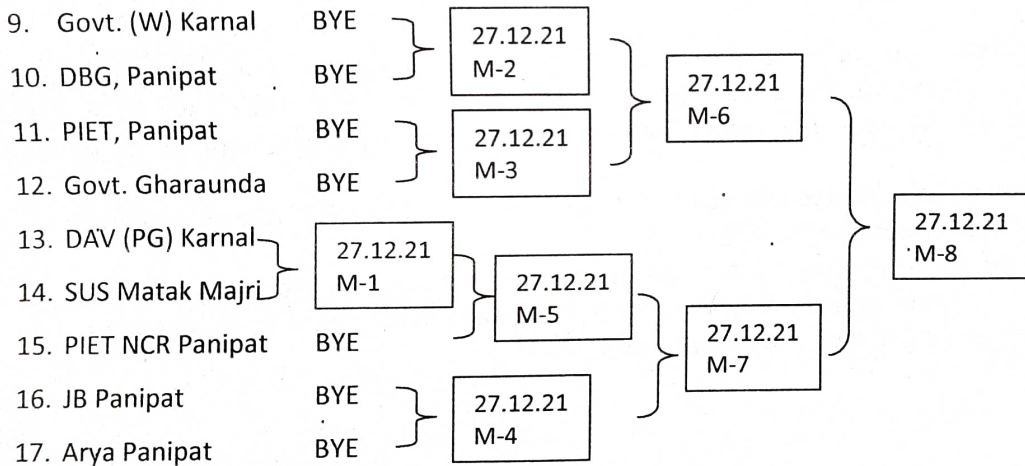
KURKSHETRA UNIVERSITY KURUKSHETRA
 (Established by the State Legislature Act XII of 1956)
 ('A+' Grade, NAAC Accredited)

Fixture for Kurukshetra University Inter Collegiate Badminton (Women) Championship 2021-22

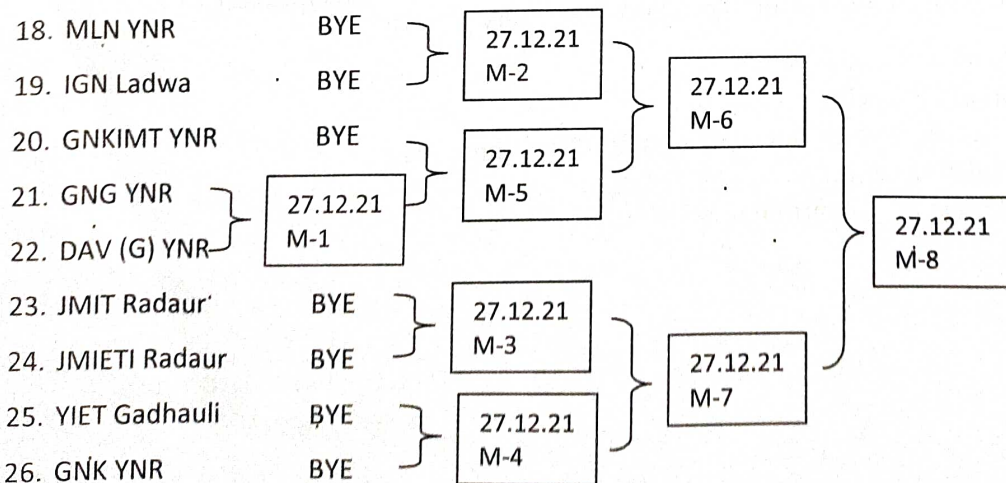
Pool 'A' at SD College, Ambala



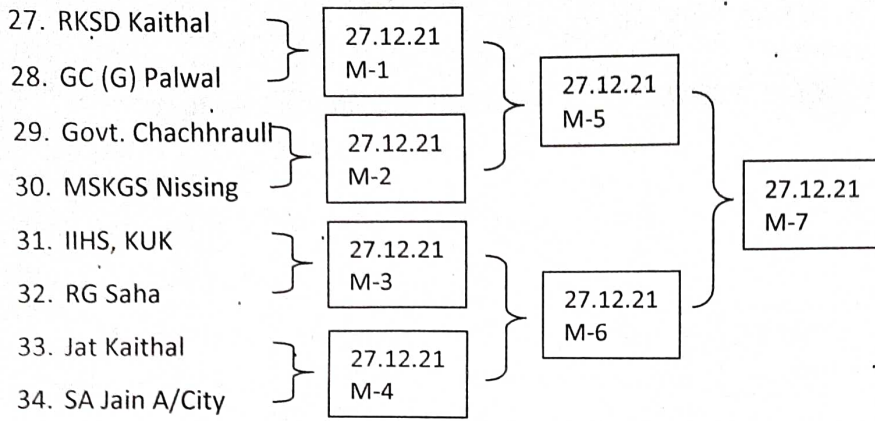
Pool 'B' at Arya College, Panipat



Pool 'C' at MLN College, Yamuna Nagar



Pool 'D' at SA Jain, Ambala City



Inter Zonal league matches will be played at Arya (PG) College Panipat as per following schedule:

i)	A	vs.	C	9:00 a.m.	}	28.12.21
ii)	C	vs.	D	10:00 a.m.		
iii)	A	vs.	C	03:00 p.m.		
iv)	B	vs.	D	04:00 p.m.		
v)	B	vs.	C	09:00 a.m.	}	29.12.21
vi)	A	vs.	D	10:00 a.m.		

Note: Trials for the selection of Kurukshetra University Badminton (Women) team will be held at Arya (PG) College Panipat on 29.12.21 at 11:00 A.M.

1. Teams must be accompanied by Managers along with player's eligibility particulars, Identity Cards (meant for sports purposes), authority letter, copies of Matric and D.M.C. of 10+2 duly signed/attested by the Principal. The team shall not be allowed to participate without above said documents.
2. Organizing Secretary is authorized to change the timing (s) of the match (es), if needed in view of local situation, under intimation to this office.
3. In case of any protest during the tournament against any player (s)/Team (s) of a College, the Organizing Secretary of the Tournament will arrange a photograph of the Player (s)/Team (s), in addition to other procedure followed in case of a protest.

-sd-

Director, Phy. Edu. & Sports
& Secretary, KUSC

Endst. No. 1529

Dated 20/12/21

Copy of the fixtures forwarded to the following for information necessary action:-

1. Principals of the Colleges concerned.
2. President, K.U. Sports Council
3. Members of the Kurukshetra University Badminton Club Committee
4. Director, Public Relations, K.U.K.
5. Internal distribution in the Department.


Director, Phy. Edu. & Sports
& Secretary, KUSC