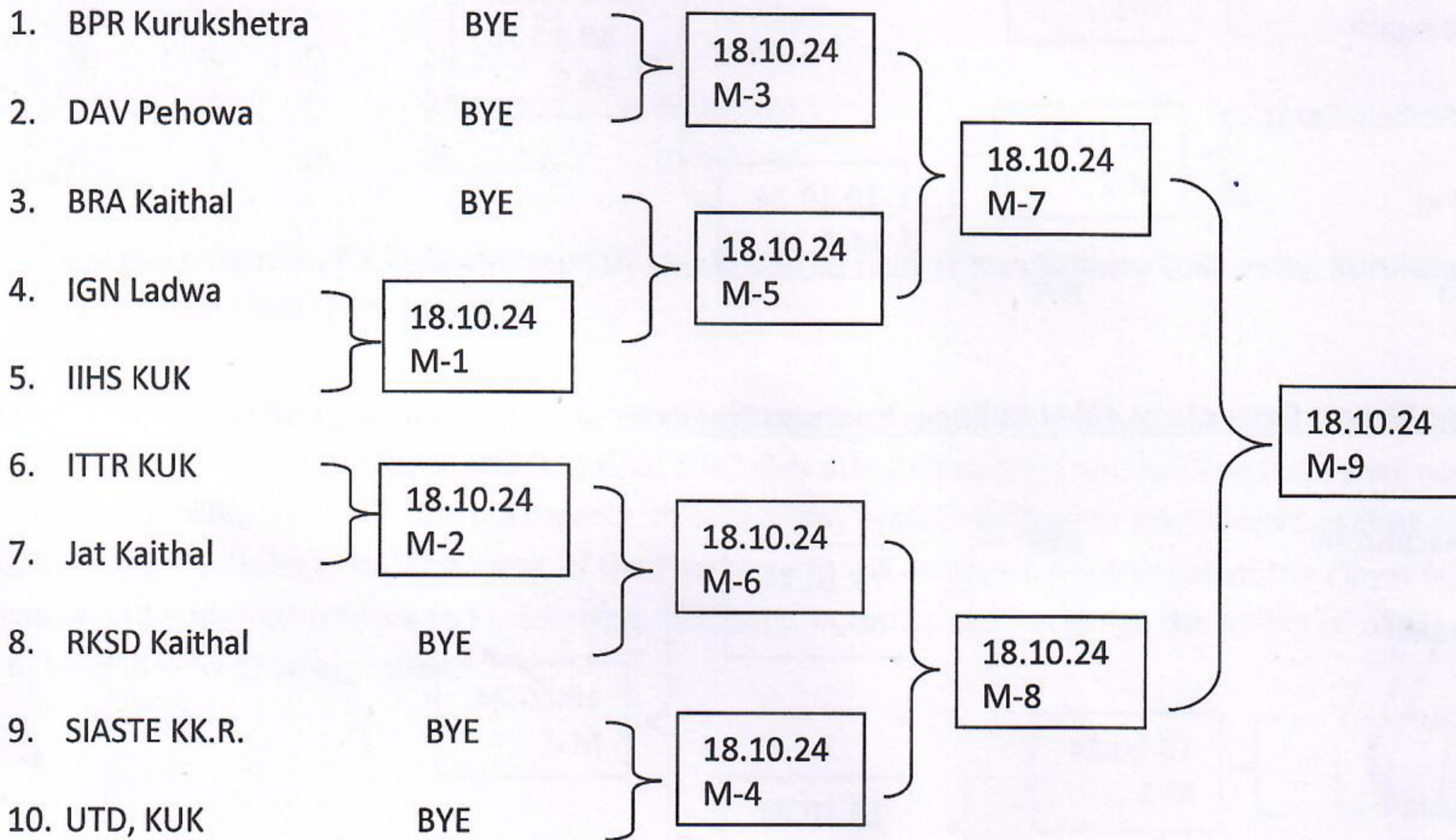


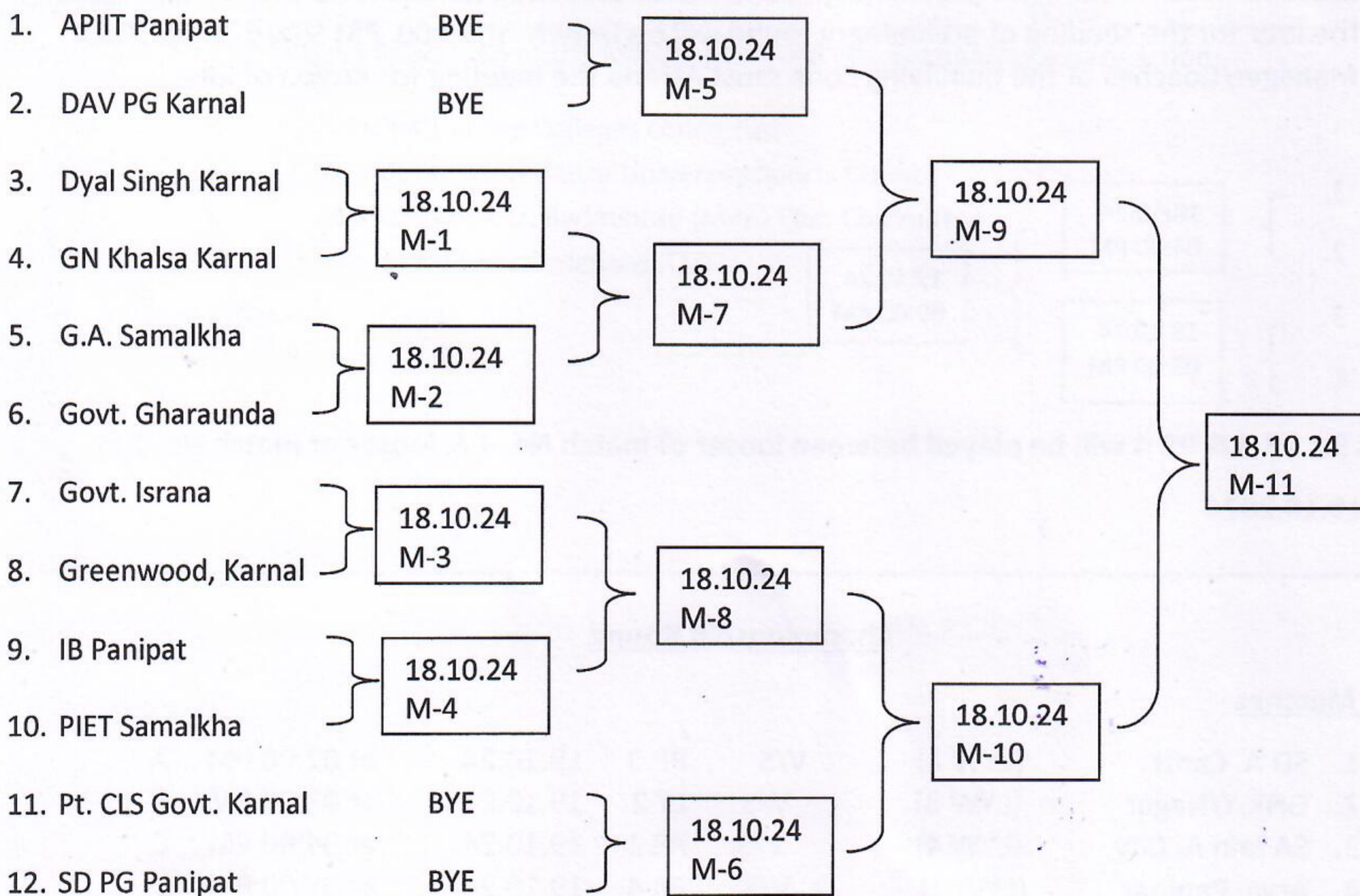
KURKSHETRA UNIVERSITY SPORTS COUNCIL

Fixture for Kurukshetra University Inter Collegiate Badminton (Men) Championship 2024-25 Preliminary Round

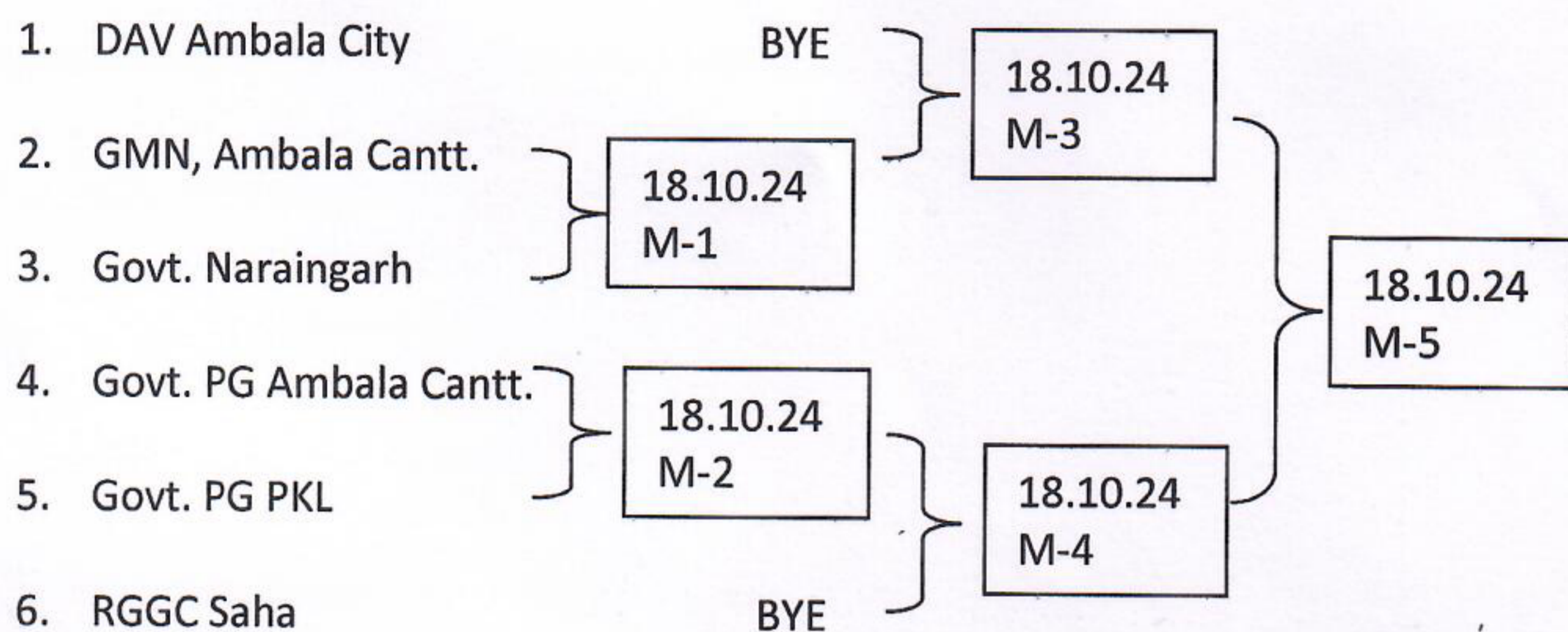
Zone:- Kurukshetra, Kaithal at Kurukshetra University, Kurukshetra



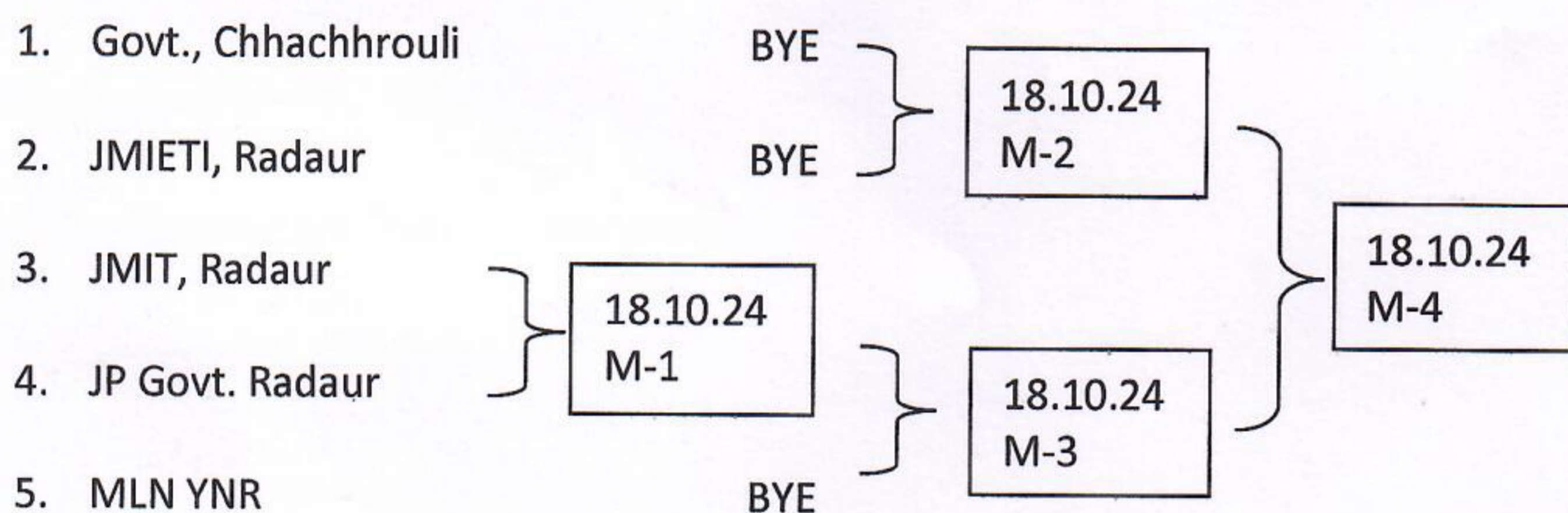
Zone:- Karnal, Panipat at Arya PG College, Panipat



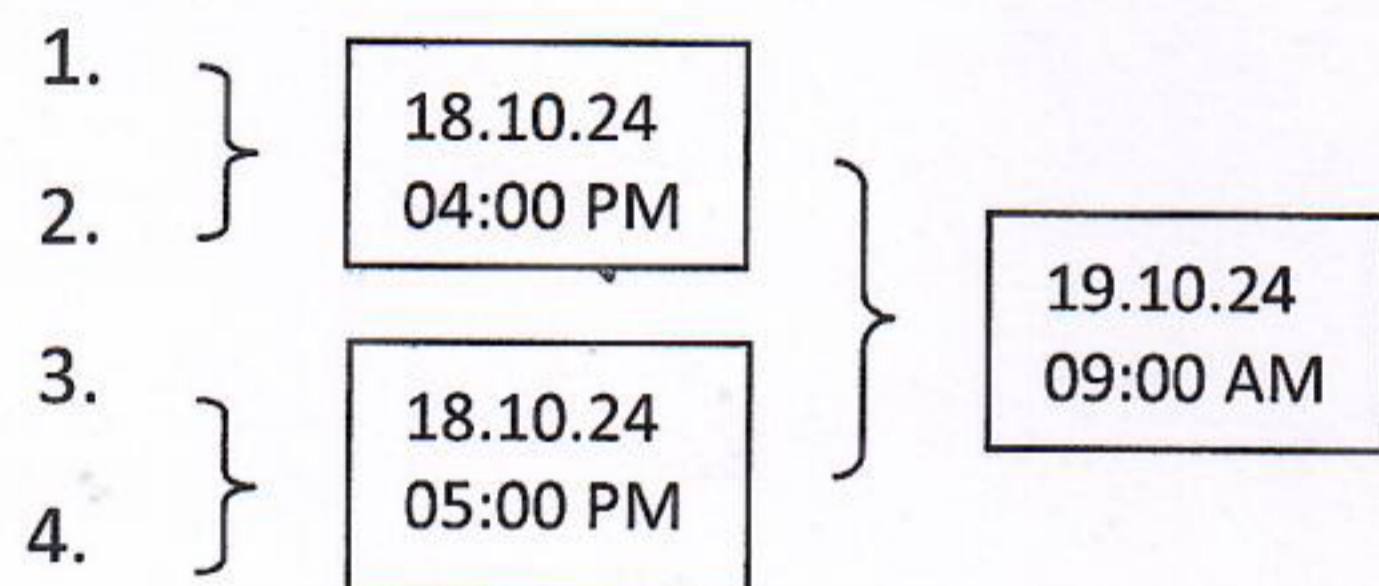
Zone:- Ambala, Panchkula at SD PG College, Ambala Cantt.



Zone:- Yamuna Nagar, Barwala at MLN College, Yamuna Nagar



- Note:-**
1. Match for final seeding for preliminary round will be played at Kurukshetra Uni. Kurukshetra.
 2. The lots for the seeding of preliminary round will be Drawn at 03:00 PM Sharp on 18.10.24
 3. Manager/Coaches of the qualifying Zone must Attend the meeting for drown of lots.



- The matches for PR 3 & PR 4 will be played between loser of match No. 1 & loser of match No. 2 at 10:00 AM on 19.10.2024

Championship Round

Knock-Out Matches

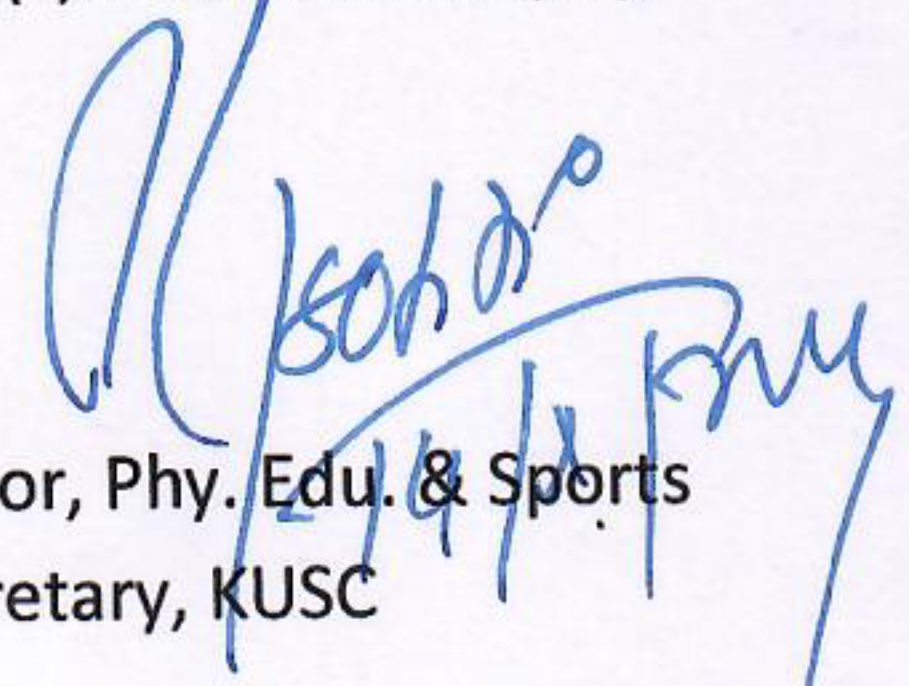
1. GNK, Y/Nagar	(LYW 2)	V/S	PR 3	19.10.24	at 02:00 PM	A
2. SD A. Cantt.	(LYW 3)	V/S	PR 2	19.10.24	at 03:00 PM	B
3. Arya, Panipat	(LYW 4)	V/S	PR 1	19.10.24	at 04:00 PM	C
4. SA Jain A. City	(LYW 1)	V/S	PR 4	19.10.24	at 05:00 PM	D

Inter Zonal league matches will be played at Kurukshetra University, Kurukshetra as per following schedule:

1.	A	VS	B	20.10.2022	08:00 AM
2.	C	VS	D	20.10.2022	09:00 PM
3.	A	VS	C	20.10.2022	12:00 Noon
4.	B	VS	D	20.10.2022	01:00 PM
5.	B	VS	C	20.10.2022	04:00 PM
6.	A	VS	D	20.10.2022	05:00 PM

Trials for the selection of K.U, Badminton (M) team will be held at Kurukshetra University, Kurukshetra on 20.10.2022 from 06:00 PM onwards.

Note: Teams must be accompanied by Managers along with player's eligibility particulars, Identity Cards, authority letter, copies of Matric and D.M.C. of 10+2 duly attested by the Principal. The team shall not be allowed to participate without above said documents. In case of any protest during the tournament against any player (s)/Team (s) of a College, the Org. Secy. of the Tournament will arrange a photograph of the Player (s)/Team (s), in addition to other procedure to be followed. Org. Secy. is authorized to change the timing (s) of the match (es), if needed in view of local situation.


Director, Phy. Edu. & Sports
& Secretary, KUSC

Endst. No. 1945

Dates 14-10-2024

Copy of the overleaf fixtures forwarded to the following for kind information/necessary action:

1. Principals of the Colleges concerned.
2. President, Kurukshetra University Sports Council
3. Members of K.U. Badminton (Men) Club Committee
4. Director, Public Relations, KUK